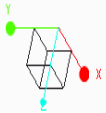
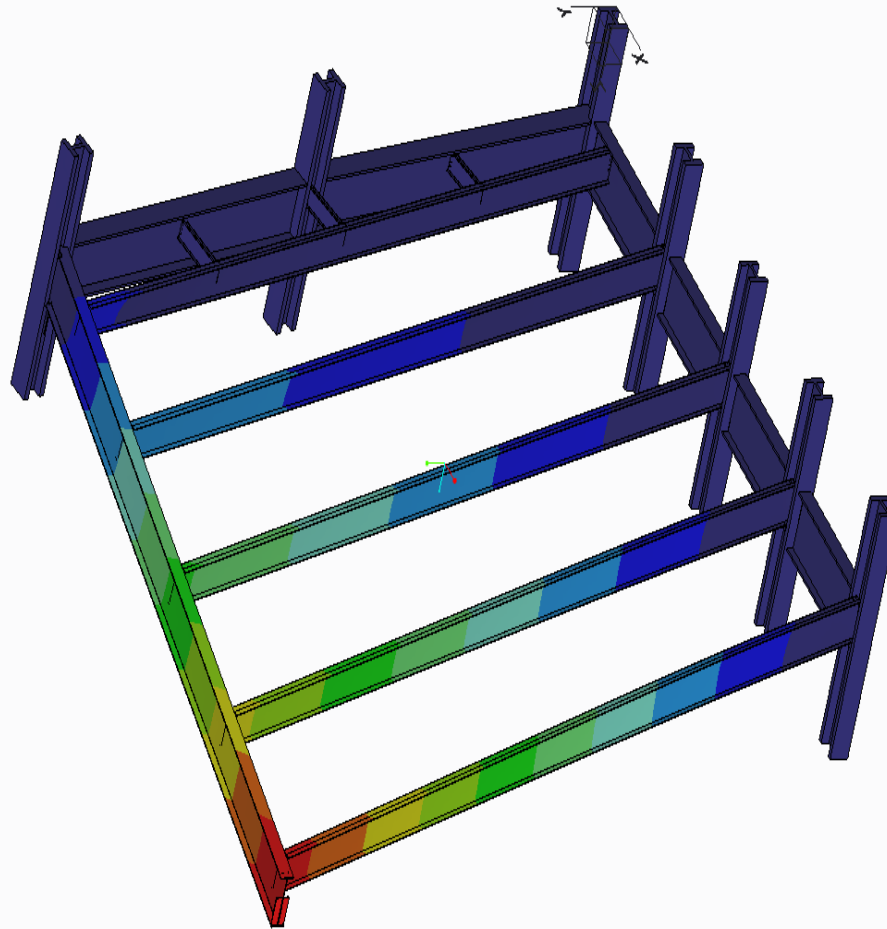
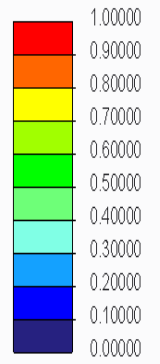


Displacement Magnitude (WCS)

Frame 3 of 8  
(in)  
Deformed  
Max Disp 1.0000E+00  
Scale 6.6151E+01  
Mode 2, +5.1693E-01



Displacement Magnitude (WCS)

Frame 3 of 8  
(in)  
Deformed  
Max Disp 1.0000E+00  
Scale 6.6151E+01  
Mode 2, +5.1693E-01

